

- 6) Drill two 1/8" holes 1 1/2" from each end of each piece F and G. (Fig 8 detail) sixteen holes in total. Countersink on the outside (long) edges 3/8" deep with a 3/8" drill bit. Place legs upside down as they will lay for the assembled table, matched edges outward. Glue and screw pieces F and G to legs with sixteen #8 Z threaded flathead screws. Pre-drill and countersink 1/8" holes in pieces D and E. Every space and corner between the legs and the table top should have a screw. Glue and screw pieces D and E to assembly CFCH on both sides. The extra holes that were drilled through the other side of pieces D and E will enable you to attach the table top.
- 7) Snuggly fit the two outer table top pieces A together with their alignment dowels. Be sure table top is upside down on your workbench. Stand the leg assembly CFCH upside down on the table top. Center both assemblies from either edge and either end of the table top. Glue and screw the table leg assembly to the table top pieces A. Be sure that the pieces F are aligned equally from the edges of piece A. With the table assembly remaining upside down on your bench, install the wooden table slider as per the manufacturer's instructions with the hardware provided.
- 8) Pre-drill and countersink 1/8" holes through both sides of pieces J. Attach pieces J flush with the top edge of pieces H. Use glue and 1 1/4" #8 tapered head screws.
- 9) With the table remaining upside down, pull the fully assembled table ends apart from each other and insert the leaf sections B. Fit the sections tightly together. Lay a straight edge along the outside length of pieces F so that you may attach pieces HJ to the leaf sections B in such a manner that pieces H and pieces F are perfectly aligned.
- 10) Remove the leaf sections B and attach the edge moldings of your choice to the outer edges of the table top sections. You may wish to purchase solid stock moldings as is shown in figure 6 or use iron-on edge tape.
- 11) Sand, stain and varnish, or oil the project. Set all visible nails and fill with filler to match wood.

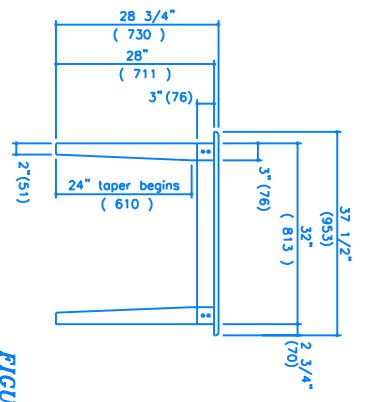
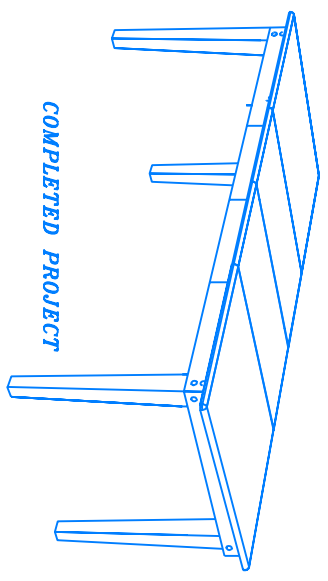
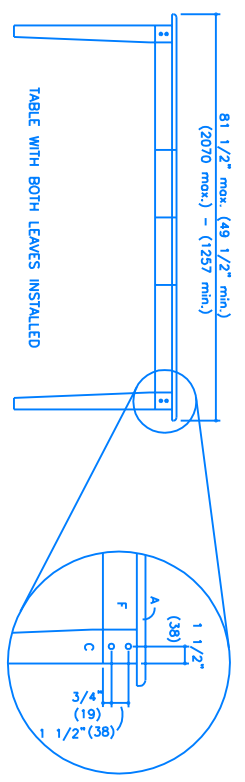


FIGURE 8



DETAIL

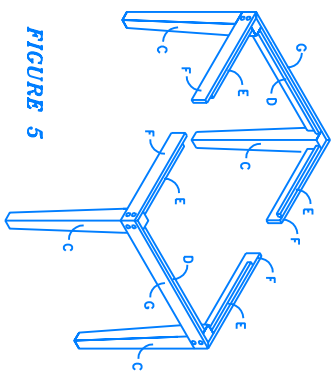


FIGURE 5

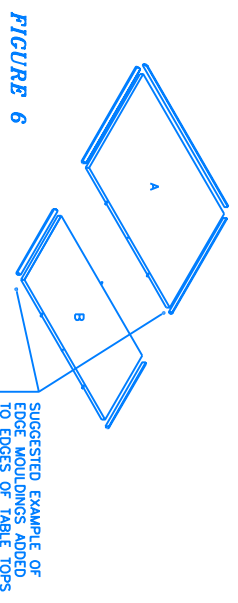


FIGURE 6

SUGGESTED EXAMPLE OF EDGE MOLDINGS ADDED TO EDGES OF TABLE TOPS

FIGURE 7

